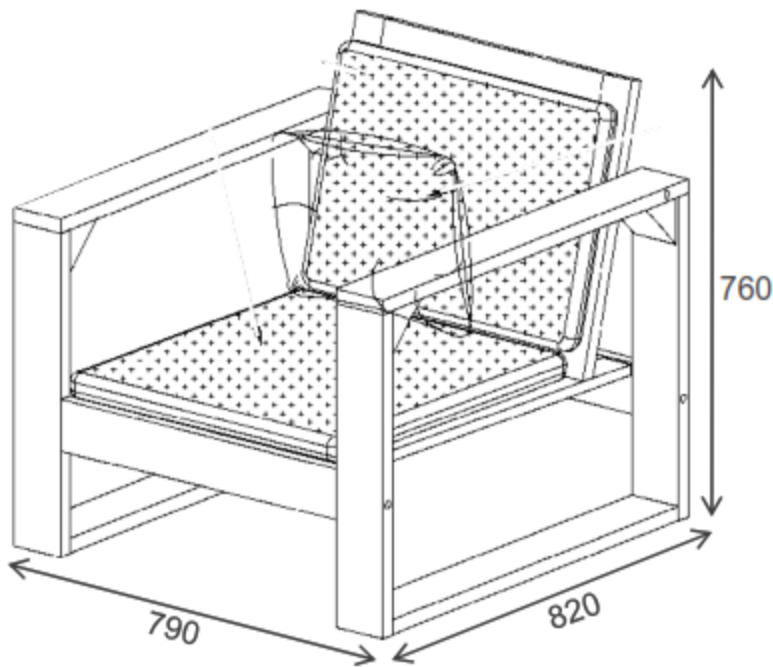




ASSEMBLY INSTRUCTION
SHADOW2 SINGLE OUTDOOR LOUNGE
CHAIR

ITEM CODE: 51392

Imported by Amart Furniture Pty Ltd, Qld, Brisbane Australia.
For any assistance with assembly or for missing parts please phone Amart Furniture, Customer Service Free call 1800 009 466





Imported by Amart Furniture Pty Ltd, Qld, Brisbane Australia.
For any assistance with assembly or for missing parts please phone Amart Furniture, Customer Service Free call 1800 009 466

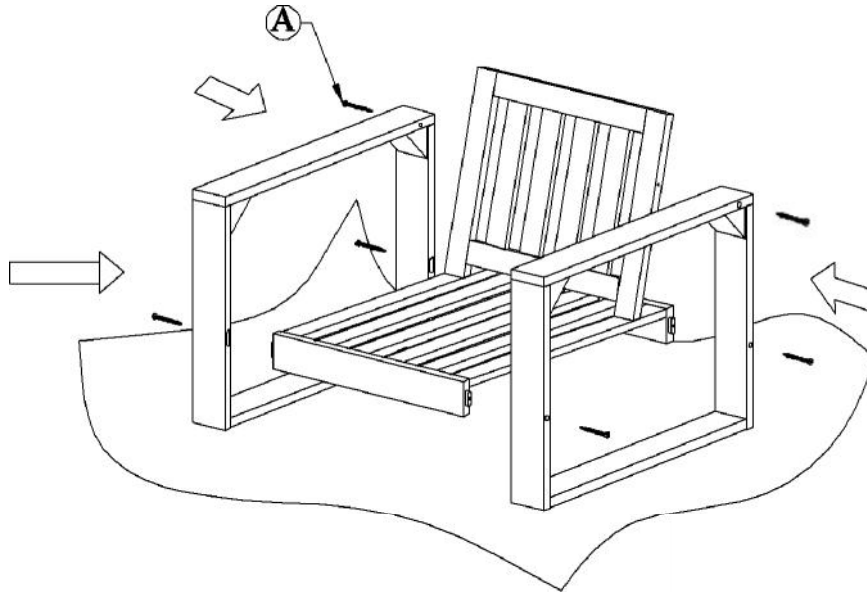
PRE-ASSEMBLY PREPARATION


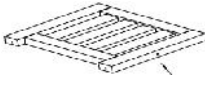
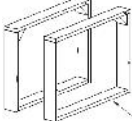
Before you start:




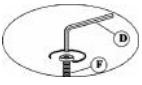

1. Choose a clean, level, spacious assembly area. Avoid hard surfaces that may damage the product
2. Take care when lifting. Product should be assembled as near as possible to the point of use
3. Ensure that you have all required contents for complete assembly
4. Always read the assembly instructions carefully before beginning assembly.
5. Keep all hardware parts and packaging out of reach of small children.
6. Do not over tighten the screws and bolts as this may damage the threads

	
ALLOW 15MINUTES	PEOPLE REQUIRED
ADDITIONAL TOOLS REQUIRED	

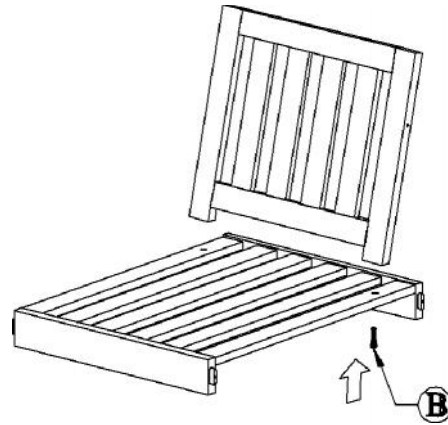
PARTS LIST



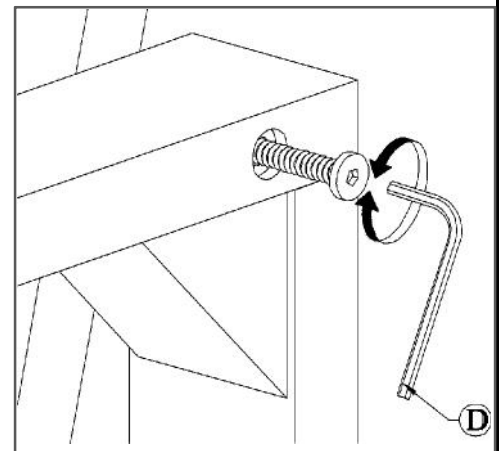
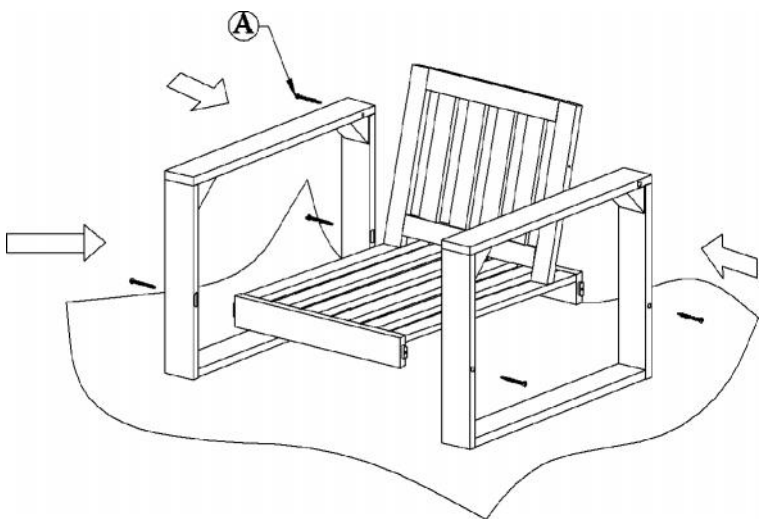
No	COMPONENT PARTS	Qty
1	Seat 	1pc
2	Back rest 	1pc
3	Legs 	2pcs

No	HARDWARE LIST		Qty
A		Hexagon head screw M6x100	6pcs
B		Hexagon head screw M6x40	2pcs
C		Seat cushion + Back cushion	2pcs
D		Allen key	1pc
E		Pillow	1pc

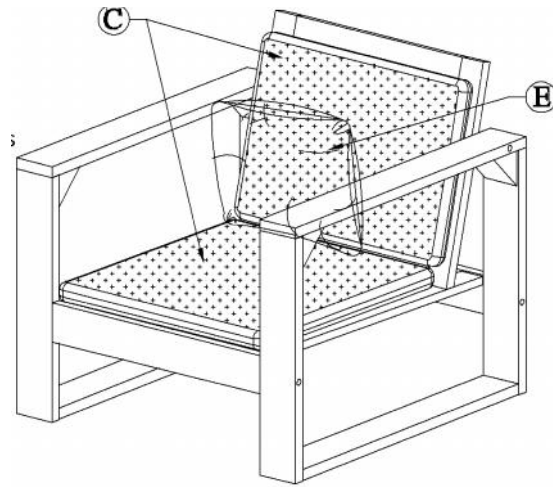
Step1: Using the 40mm hexagon head screw (B) attach the seat to the backrest with the allen key (D) as show in the diagram.



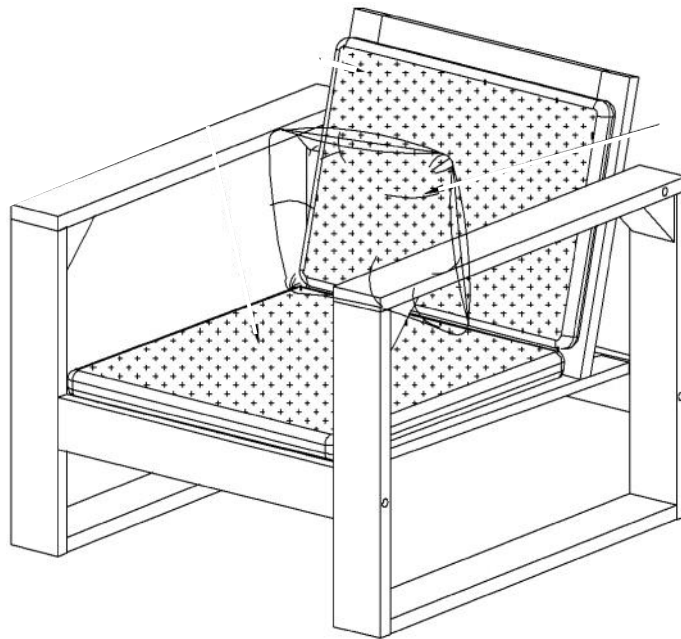
Step2: Using the 100mm hexagon head screw (A) attach the seat to the armrests with the allen key (D) as shown in the diagram. Carefully tighten all bolts.



Step 3: Place the Seat and back cushion and pillow on the product as shown in the diagram.



ASSEMBLY IS COMPLETE



IMPORTANT: CARE GUIDE FOR YOUR TIMBER FURNITURE

Congratulations! You have just purchased a quality product from Amart Furniture. Please read on for important information regarding your purchase...

A multi-step finish is applied to all our furniture, but all wood comes from nature. Because of this, there will be natural variations in surface texture and grain like knots, mineral streaks and sap runs that may affect the finish.

These differences in character are not defects, but distinctions that make each piece of furniture unique.

Our furniture is built to last. Following these steps for basic care should protect your investment for years to come.

CUSHIONS:

- Direct exposure to the Sun's harmful UV rays is likely to cause rapid colour fading to fabrics. For best results we recommend avoiding exposure to direct sunlight
- To ensure product longevity it is recommended outdoor products are not left permanently exposed to the elements
- Spot clean using mild detergent and damp cloth. Dry flat in shade
- Do not unzip
- Do not put in washing machine
- Do not tumble dry
- Do not bleach
- Do not dry clean
- Cool iron only

TIMBERS:

- Prolonged exposure of timber items to the elements may cause premature deterioration
- Regular vacuuming and dusting of items is recommended
- Timber requires regular maintenance and upkeep. Please use the appropriate product to maintain your product (oil/wax), if you are unsure of which product is suitable – please contact the store that you purchased from
- Minor cracking of timber is a natural process and will not compromise the strength of the timber
- To extend the life of your product the use of an Amart approved Outdoor Furniture Cover is highly recommended. Please contact store of purchase for further details

